



Model No.	LSB3XS
REV.	C2

PRODUCT SPECIFICATION FOR LED Ribbon Light

Descriptions:

- Linear separable LED strip on flexible printed circuit board with self-adhesive back
- Long life, easy installation
- Voltages available 12VDC
- LED type SMD 5050

Features:

- Available in red, orange, yellow, green, blue, white, etc
- Directly use on line voltage
- Low power consumption, high intensity
- Energy saving
- Excellent beam control
- Long life

Application:

- Inside of Auto lighting
- Channel letter signs
- Indirect accent décor light
- Large area back lighting
- Under counter light
- Decorate building's contour
- Substitute neon light

Product Picture:





Model No.	LSB3XS
REV.	C2

Device Selection Guide

Module No.	Color	Dom. Wavelength (Typ.)	Intensity / Per LED (Typ.)
LSB3RS	Red	625±5nm	1120 mcd
LSB3OS	Orange	605±5nm	1120 mcd
LSB3YS	Yellow	590±5nm	1120 mcd
LSB3GS	Green	525±5nm	3000 mcd
LSB3BS	Blue	470±5nm	1560mcd
LSB3WS	White	X=0.27;Y=0.28	7000mcd
LSB3MS	Warm White	X=0.45;Y=0.41	5000mcd
LSB3KS	Pink	X=0.45;Y=0.17	1900mcd
LSB3TS	Red	625±5nm	750mcd
	Green	525±5nm	1120mcd
	Blue	470±5nm	400mcd

Absolute Maximum Ratings(Ta=25)

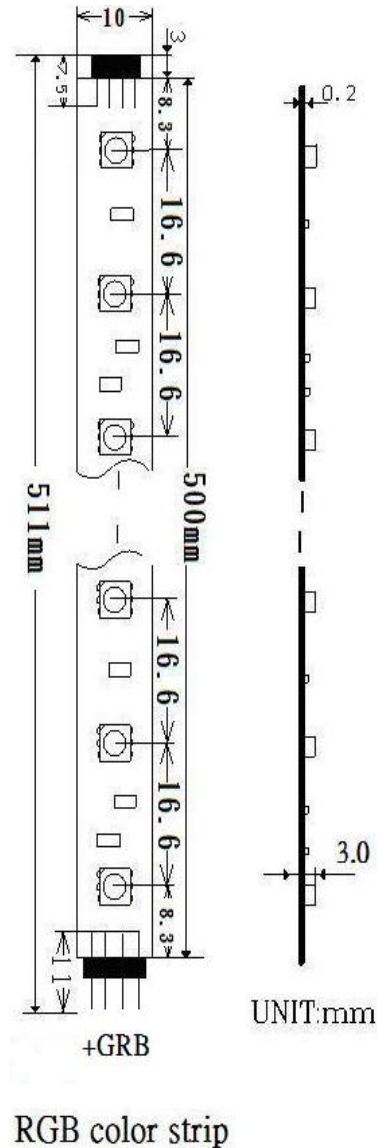
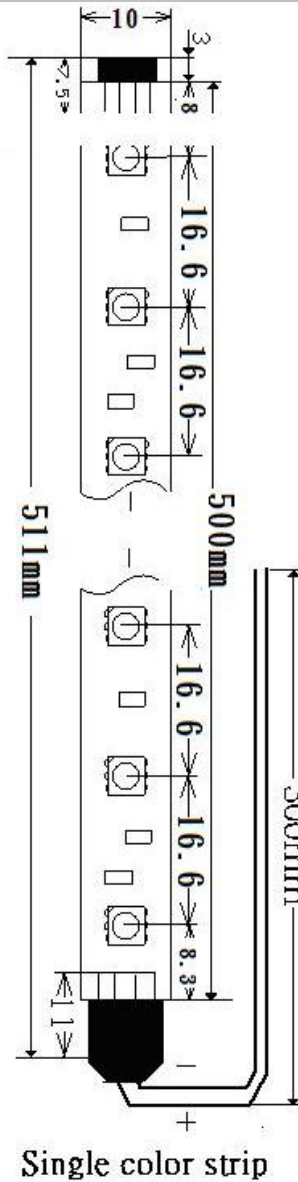
Items	Symbol	Values	Units
Operating Supply Range(DC)	V _{dc}	14	V
Input Current (DC)	I _i	0.9	A
Power Dissipation	P _a	12.6	W
LED Light Source Temperature	T _{led}	105	DegC
Operating Temperature	T _{ope}	-10 ~ +40	DegC
Storage Temperature	T _{sto}	-20 ~ +80	DegC

Typical Performance (Ta=25)

Items	Symbol	Min.	Typ.	Max.	Units
LED Module Power	P _m	-	7.2	12.6	w
Input Voltage(DC)	V _i	-	12	14	V
Product Input Current	I _f	-	0.6	0.9	A
Beam Pattern	BP	-	120	-	Deg
LED Quantity	QTY	-	30	-	PCS
Total Length of Modules (Including Pin)	L _{mod.}	-	511	-	mm
Net Weight	Wei.	---	35	---	g

Model No.	LSB3XS
REV.	C2

Product Dimensions:



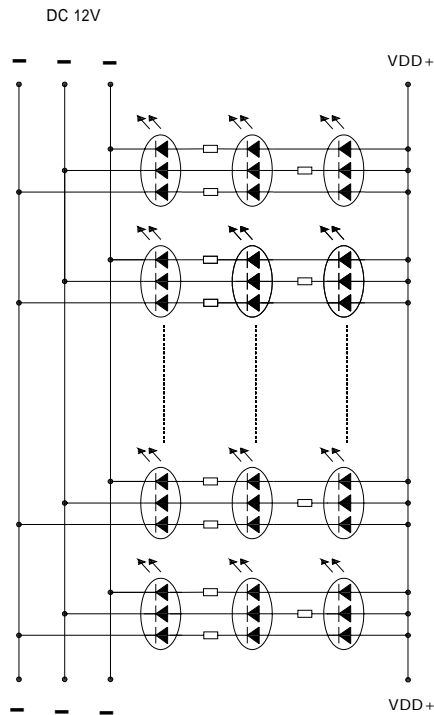
Tolerance: ±2mm

Remark:

- 1) For single color, use 2-wire (Red, black) external connection wire in which three internal “-“ shorted.
- 2) For RGB color, It not connection wire.

Model No.	LSB3XS
REV.	C2

Product Circuit



Packing information:

Box Dimensions
 Unit: mm
 Tolerance : ± 2 mm

